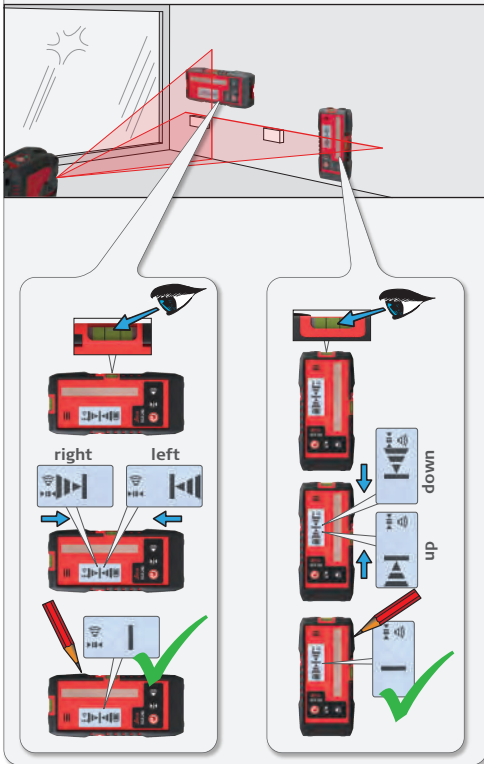
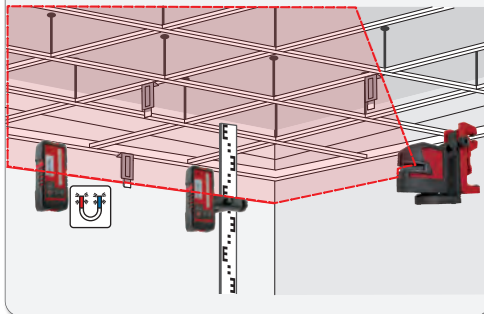


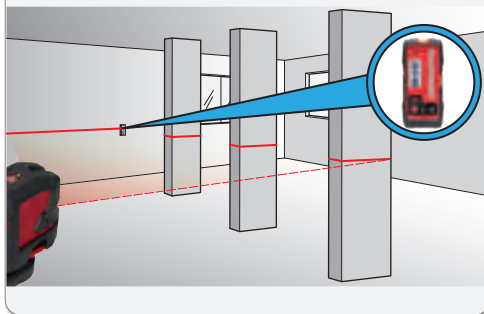
Work vertical & horizontal



Strong attachment



Long range applications



Quick Start Leica RGR 200



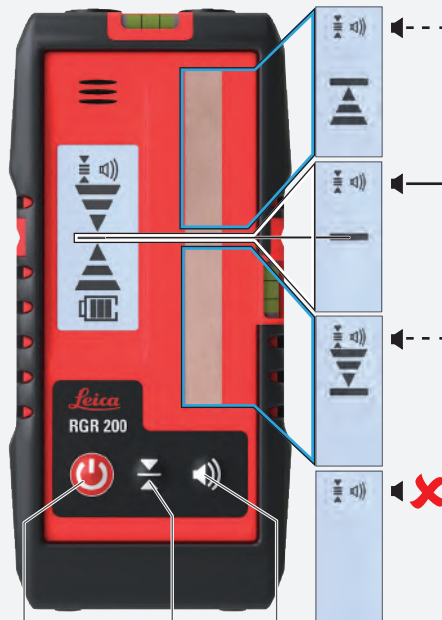
- when it has to be right

Leica
Geosystems

Insert batteries



Operation



- 1x Reciver ON
- 2x Backlight ON
- 3x Backlight OFF
- +/- 1mm
- +/- 3mm
- Beep MEDIUM
- Beep HIGH
- Beep OFF

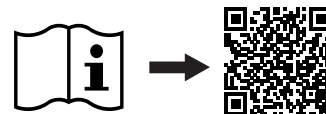
Working spectrum

- Red laser beam
- Green laser beam

3 sec = OFF



Transportation



www.leica-geosystems.com

- when it has to be **right**

Leica
Geosystems